

3.00mm(.118") Wire To Wire And Wire To Board Connector

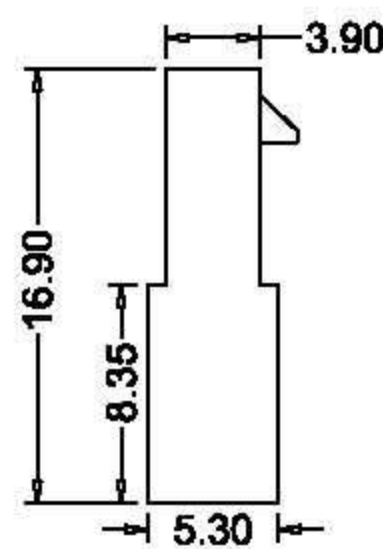
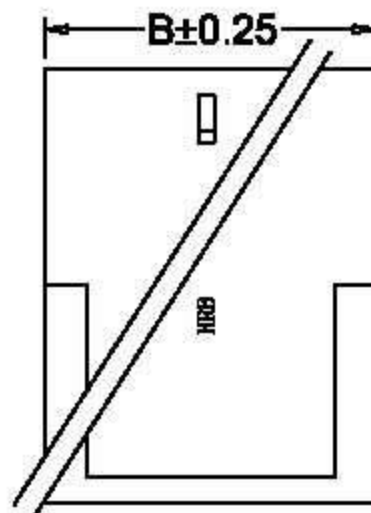
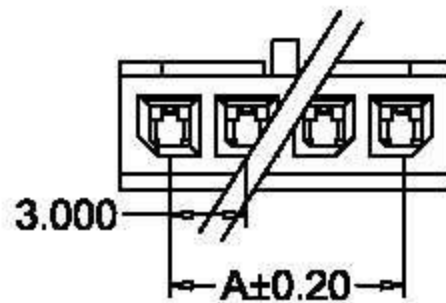
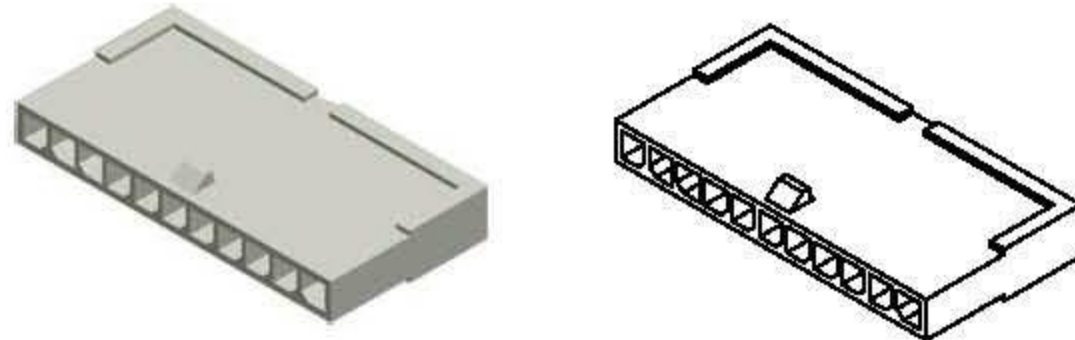


Shenzhen Hongru Connector Co., Ltd

Email: yukyli@hrb-connector.com
 Tel: 86-0755 2709 6669
 Fax: 86-0755 2709 2392
 Skype: haiyuncheng-vivian
 Mobile(whatsapp): 86-186 8112 3590
 Website: http://www.hrb-connector.com

SPECIFICATIONS:

- Current Rating: 5A AC, DC
- Voltage Rating: 250V AC, DC
- Operating Temperature: V2: -25°C ~ +85°C
 V0: -40°C ~ +130°C
- Contact Resistance: 10mΩ max.
- Insulation Resistance: 1000MΩ Min.
- Withstanding Voltage: 1500V AC/minute
- Material: Nylon66 UL94V-2/UL94V-0
- File No: E304945
- Terminal In Housing Retention Force Requirement: 2.5kg (Min.)



Ordering Information And Dimensions

Part NO.		Circuits	Dimensions		Part NO.		Circuits	Dimensions	
TYP UL94V-2	TYP UL94V-0		Dim:A	Dim:B	TYP UL94V-2	TYP UL94V-0		Dim:A	Dim:B
P3020-1x2-N-C	P3020-1x2-W-C	2	3.00	6.85	P3020-1x8-N-C	P3020-1x8-W-C	8	21.00	24.85
P3020-1x3-N-C	P3020-1x3-W-C	3	6.00	9.85	P3020-1x9-N-C	P3020-1x9-W-C	9	24.00	27.85
P3020-1x4-N-C	P3020-1x4-W-C	4	9.00	12.85	P3020-1x10-N-C	P3020-1x10-W-C	10	27.00	30.85
P3020-1x5-N-C	P3020-1x5-W-C	5	12.00	15.85	P3020-1x11-N-C	P3020-1x11-W-C	11	30.00	33.85
P3020-1x6-N-C	P3020-1x6-W-C	6	15.00	18.85	P3020-1x12-N-C	P3020-1x12-W-C	12	33.00	36.85
P3020-1x7-N-C	P3020-1x7-W-C	7	18.00	21.85					

